

# SturdiMount®

EXTERIOR MOUNT BLOCKS



[SturdiMount.com](http://SturdiMount.com)

# SturdiMount®



## DESIGNED TO BLEND IN. BUILT FOR TOUGHNESS.

SturdiMount Mount Blocks are designed to provide a strong, smooth mounting surface that complements uneven exterior finishes such as lap siding, brick, stone or stucco. It's a detail that is often overlooked that provides easy installation of light fixtures, vents, plugs, and more.

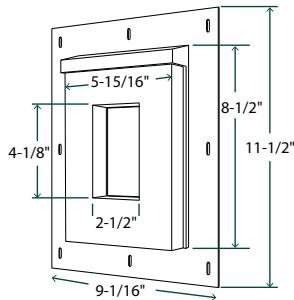


### RECEPTACLE MOUNT #SMR68TW

**Use: Electrical boxes**

6" x 8-1/2"

Qty: 5 per box | Wgt: 7.5 lbs.

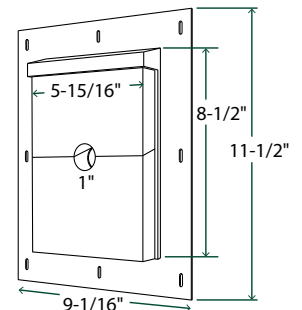


### SPLIT MOUNT #SMS68TW

**Use: Spigots, gas lines, and door bells**

6" x 8-1/2"

Qty: 5 per box | Wgt: 7.5 lbs.



**THIS PRODUCT CAN BE PAINTED** For best results, use a 100% acrylic paint or paint that is formulated to bond to plastic and PVC. Always follow the paint manufacturer's instructions for surface preparation and priming.

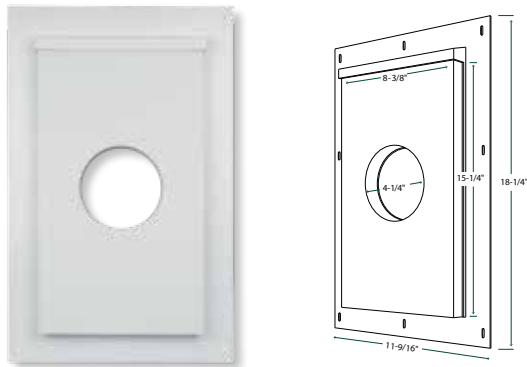
- Pre-flashed and pre-assembled for protection against water damage.
- Saves time and labor, SturdiMount installs in seconds.
- Provides a clean and more finished look.
- For use on fiber cement, cedar, engineered wood, and composite siding.
- The mounting surface is manufactured of cellular PVC.

## OVERSIZED MOUNT # SMO815TW

### Use: Coach lights

8-1/2" x 15"

Qty: 5 per box | Wgt: 15.1 lbs.

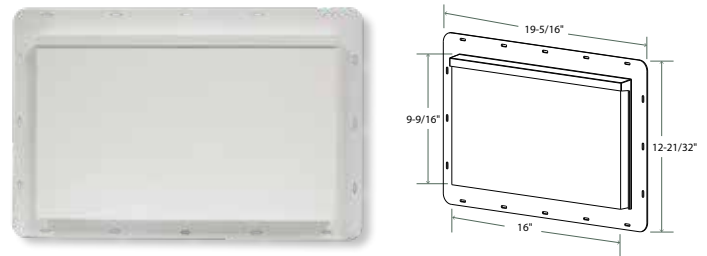


## HORIZONTAL MOUNT # SMH916TW

### Use: Furnace/HVAC applications and house address plaques

16" x 9-1/2"

Qty: 5 per box | Wgt: 10 lbs.



Face of mount is uncut for on-site fabrication.

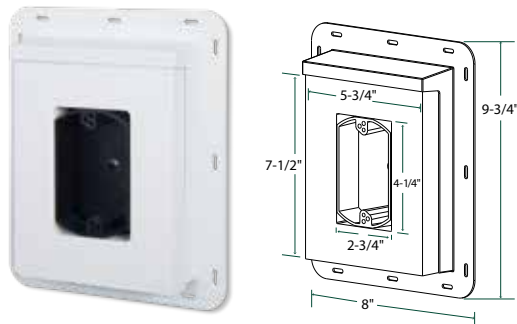
## UL RECEPTACLE MOUNT # SMRUL68TW

Canadian UL Certified # SMRCUL68TW

### Use: Standard lights and electrical boxes

5-3/4" x 7-1/2"

Qty: 5 per box | Wgt: 6.62 lbs.



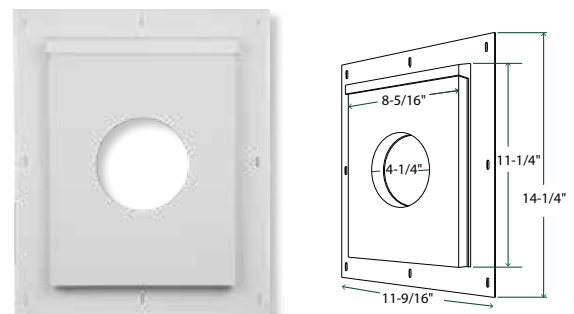
## UNIVERSAL MOUNT # SMU811TW4

3-5/8" Cut out # SMU3811TW4

### Use: Standard lights and dryer vents

8-1/2" x 11"

Qty: 5 per box | Wgt: 11.7 lbs.



## BLANK MOUNT



For onsite customization. Blanks are available in Universal, Oversized and Receptacle Profiles.

UNIVERSAL: PART # SMU811BTW4  
 OVERSIZED: PART # SM0815BTW  
 RECEPTACLE: PART # SMR68BTW

# SturdiMount®

SturdiMount.com | 800.521.8486



**BORAL**  
BUILDING PRODUCTS

Atlantic® Premium Shutters | Builders Edge® | Foundry® Specialty Siding | Kleer®  
Mid-America Siding Components® | SturdiMount® | Tapco Tools® | TruExterior® Siding & Trim  
Vantage® Shutters | Versetta Stone® | Wellcraft Egress Systems®